

**CODE NUMBER**

4021031

**DESCRIPTION**

Polished Chrome Finish, Act-O-Matic® Standard Showerhead.

**DETAILS**

- Finish: Polished Chrome (CP)
- Flow Rate: 1.8 gpm (6.8 Lpm) (1.8GPM)
- Self-Cleaning: Yes

**FEATURES**

Act-O-Matic, Chrome Plated Shower Head with the following features:

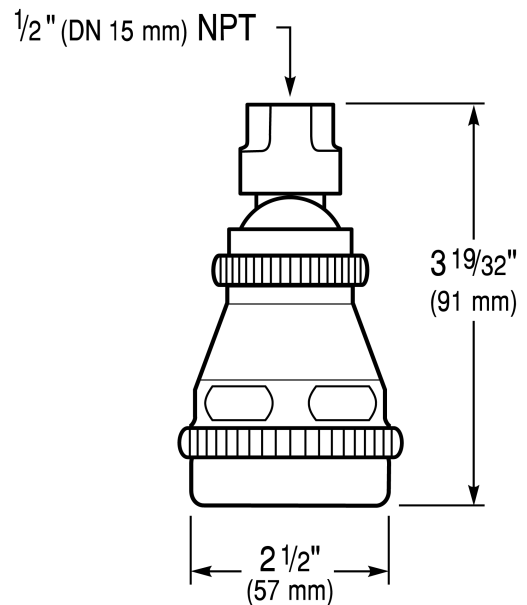
- Spring loaded, Self-cleaning Spray Disk to prevent particle clogging
- Saves up to 20% or more water depending on length of shower
- “Cone-within-a-cone” Spray Pattern for total body coverage
- Pressure Compensating 1.8 gpm (6.8 Lpm) Flow Control
- All Brass Construction
- Universal Ball Joint
- 1/2” I.P.S. Inlet

Shower Head shall be in conformance to all requirements of ANSI/ASME Standard A112.18.1M, CSA B-125 and the United States Federal Energy Policy Act.

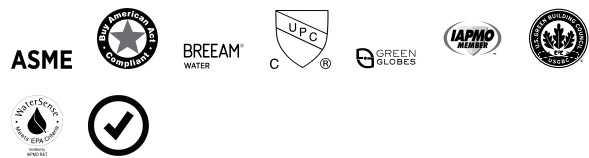
- Fast drain feature to prevent residual slow dripping

**DOWNLOADS**

- [Showerhead Parts and Accessories Repair and Maintenance Guide](#)
- [Additional Downloads](#)



**COMPLIANCES & CERTIFICATIONS**



(ASME A112.18.1 Compliant, BAA Compliant, BREEAM Water Credit, cUPC Certified, Green Globes Water Credit, IAPMO, LEED V4 Water Efficiency Credit, WaterSense Listed, Satisfies LEED Credits)

**RECOMMENDED SPECIFICATION**

Sloan Act-O-Matic Showerhead model no. AC-51 1.8 gpm. Chrome Plated.

**NOTES**

All information contained within this document subject to change without notice.

**Sloan 10500 Seymour Ave, Franklin Park, IL 60131**

Phone: 800.982.5839 • Fax: 800.447.8329 • [sloan.com](http://sloan.com)